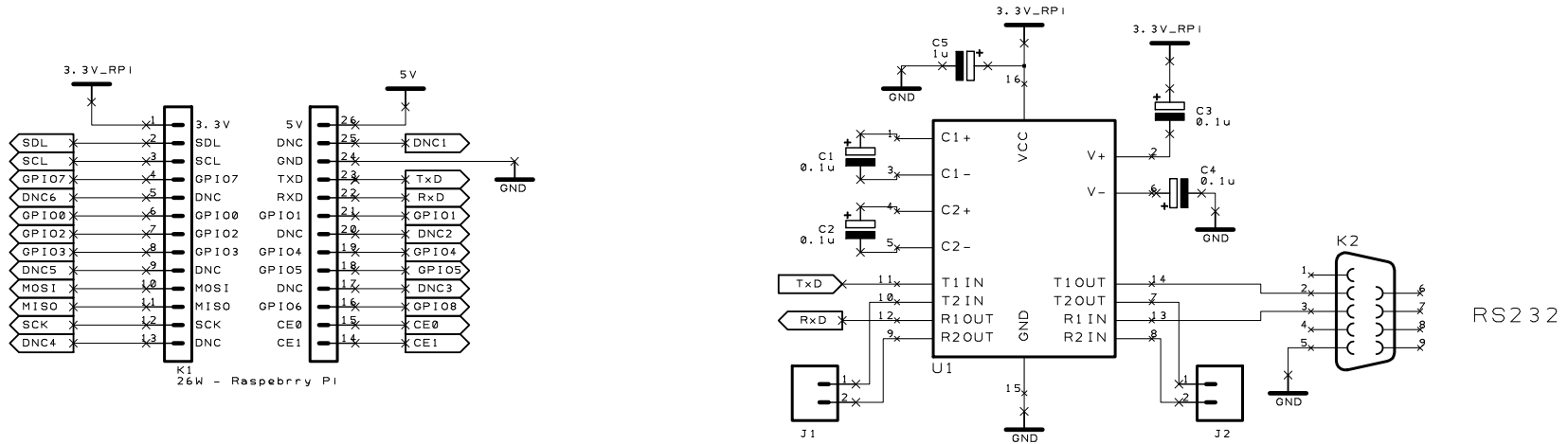
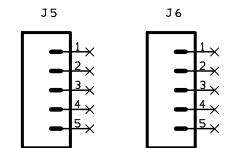


MiniPiio



Note:
Connector used to Support PCB



CC3 by SA

E	D	C	B	A v0.1 29/05/12	Drawn TonyD	Check	Projection Do Not Scale		DTRONIXS.COM	
Drn	Drn	Drn	Drn	Project Raspberry Pi MiniPiio RS232 Board			Client			
Chk	Chk	Chk	Chk	Title RPI_MinPiio_232			Filename RPI_MinPiio232.sch		Drawing No.	Sheet 1 of 1