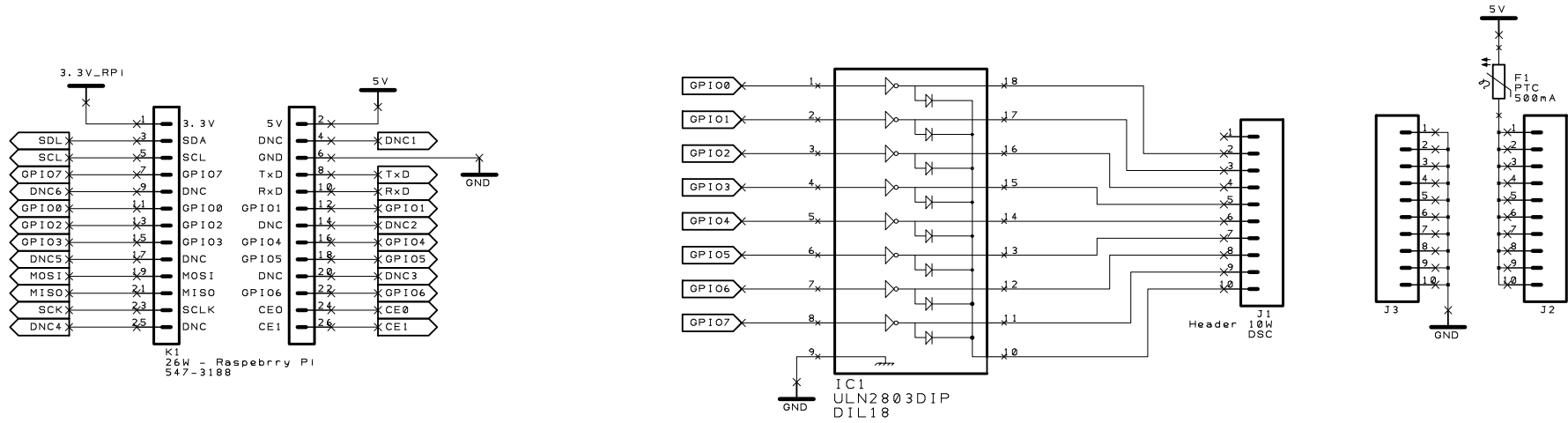


# MiniPiio



CC3 by SA

E	D	C	B	A v0.1 5/06/12	Drawn TonyD	Check	Projection Do Not Scale		<b>DTRONIXS.COM</b>
Drn	Drn	Drn	Drn	Project Raspberry Pi MiniPiio ULN2803 Board			Client		
Chk	Chk	Chk	Chk	Title RPI_MinPiio_ULN2803			Filename RPI_MinPiio_ULN2803.sch	Drawing No.	