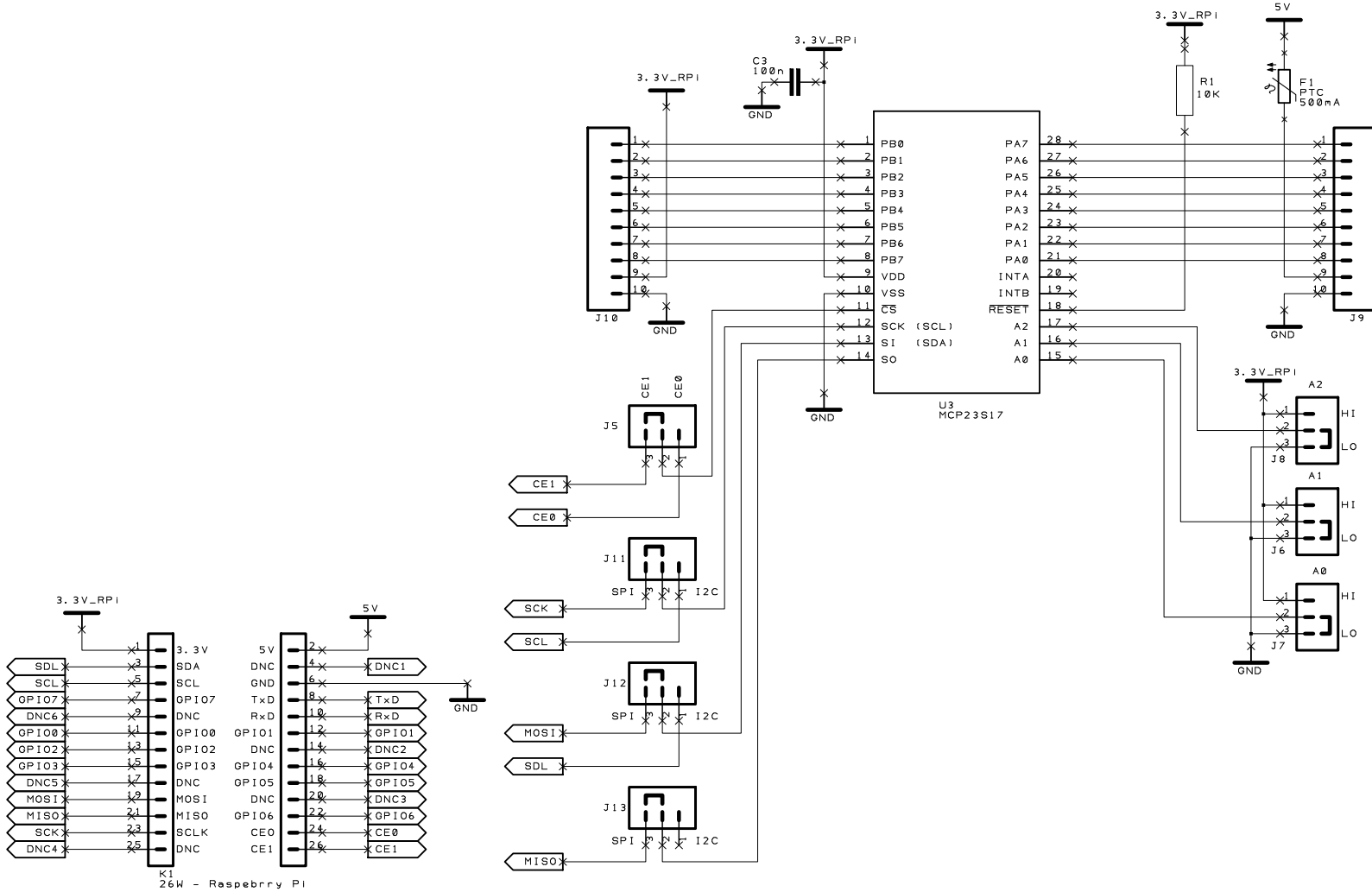
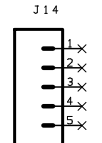


MiniPiio



NOTE:
Jumpers J5/J11/J12/J13 are used to select either I2C (MCP23017) or SPI (MCP23S17) operation

Note:
Connector used to Support PCB



CC3 by SA

E	D	C	B	A v0.1 6/06/12	Drawn TonyD	Check	Projection Do Not Scale		DTRONIXS.COM
Drn	Drn	Drn	Drn	Project Raspberry Pi 16ch Digital I/O Board			Client		
Chk	Chk	Chk	Chk	Title RPI MiniPi I/O DI016			Filename RPI_MinPiio_DI016.sch	Drawing No.	Sheet 1 of 1