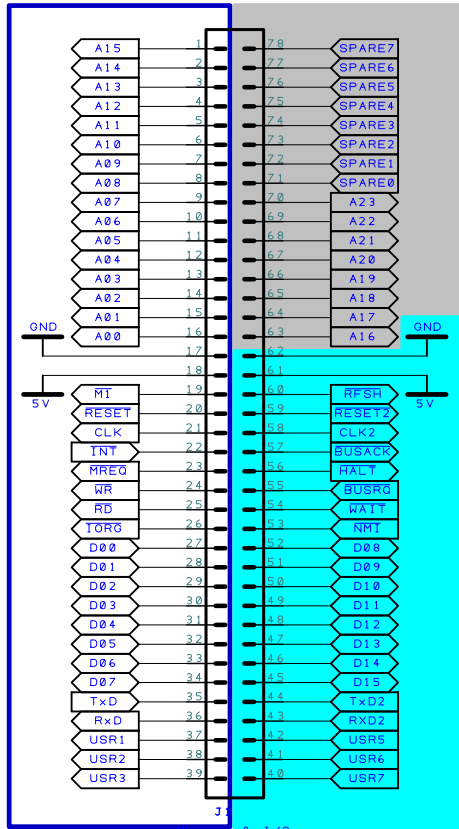
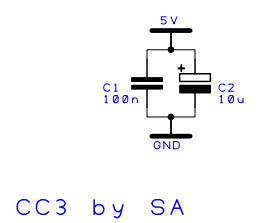
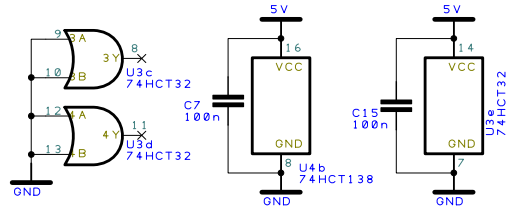
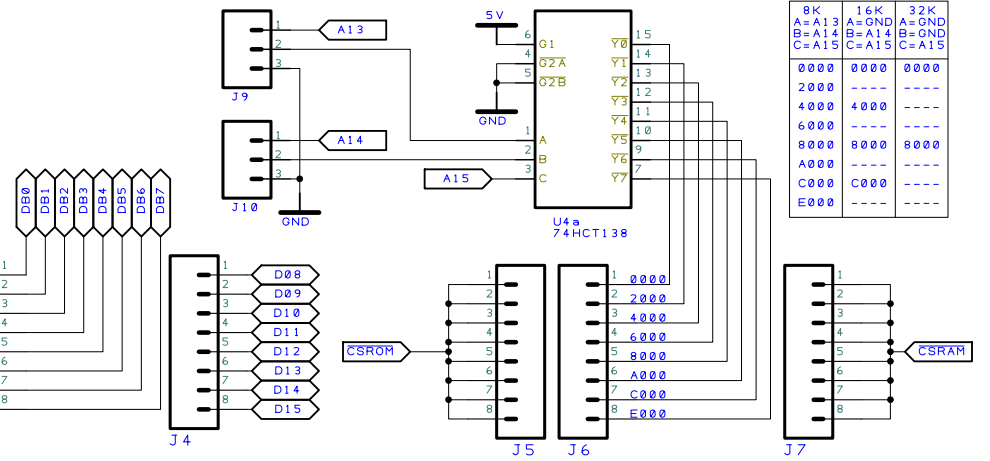
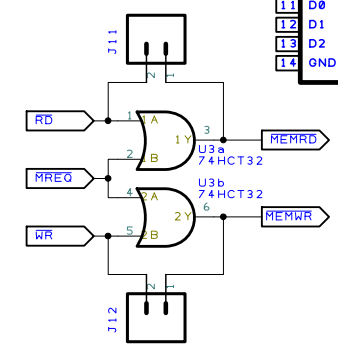
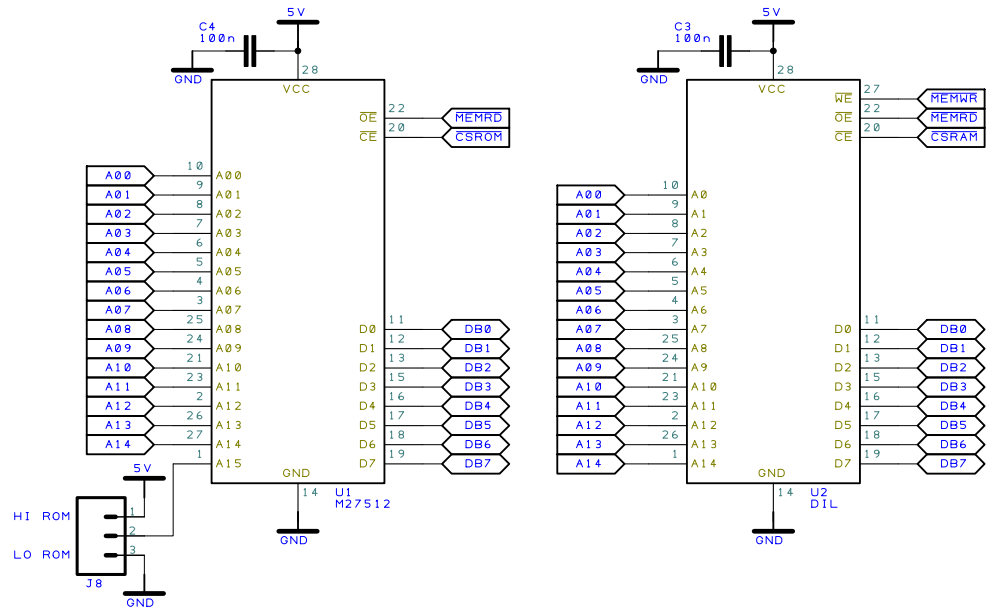


RC2014 SRAM/EPROM



Memory & I/O



CC3 by SA

E	D	C v0.3 28/11/18	B v0.2 18/04/18	A v0.1 08/06/16	Drawn TonyD	Check	Projection Do Not Scale		<h1>DTRONIXS.COM</h1>
Drn	Drn	Drn	Drn	Project	RC2014	Client			
Chk	Chk	Chk	Chk	Title	RC2014_	Filename	RC2014_.sch		
		Drawing No.		314-8220		Sheet		1 of 1	